

Diamond Collection

Canterbury Arch

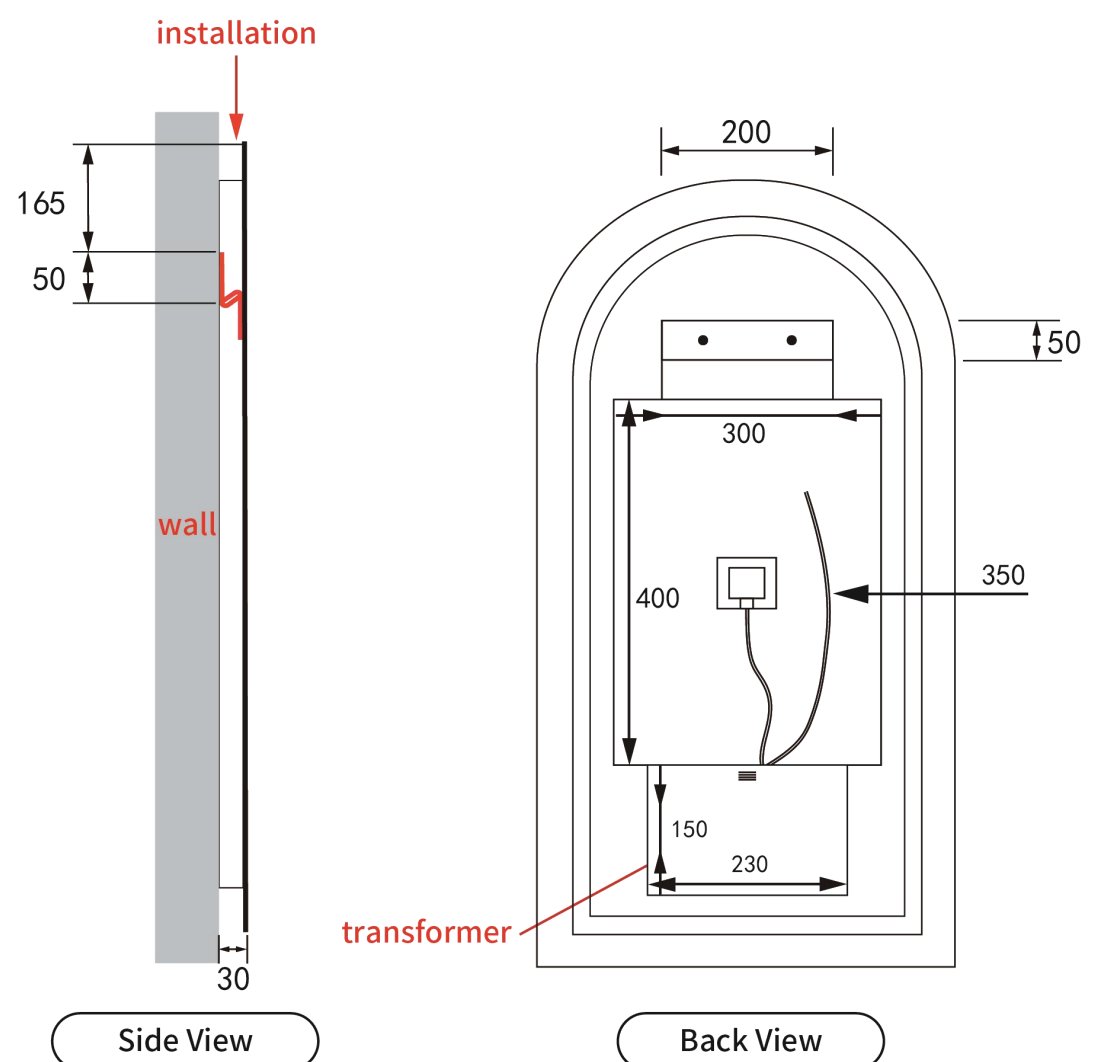
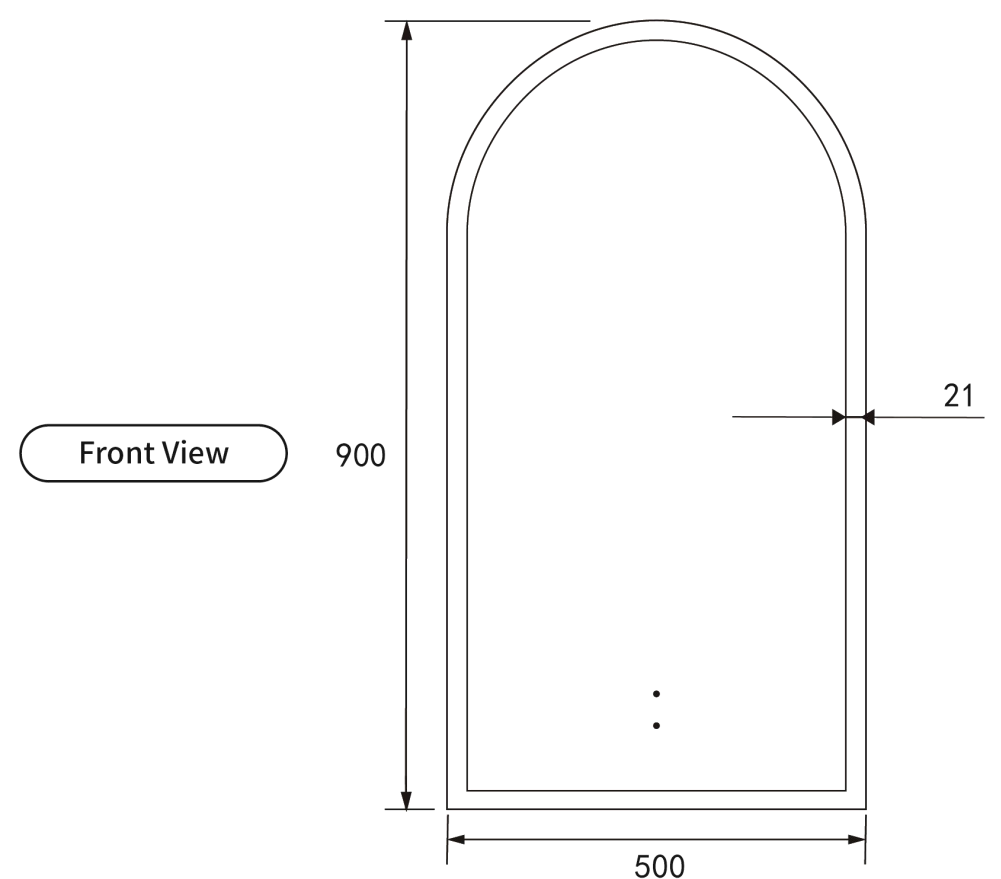
Code: LMCAN-500



Features:

- LED lighting
- Mirror demister
- Touch free sensor
- Backlit
- Three-colour dimmable lighting
- Copper free mirror
- Stainless steel frame
- Optional frame colour
- Auto cut-off in 1.5 hours

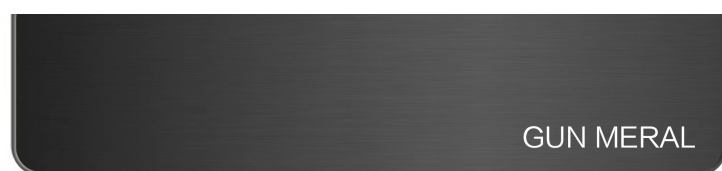
Canterbury Arch Frameless



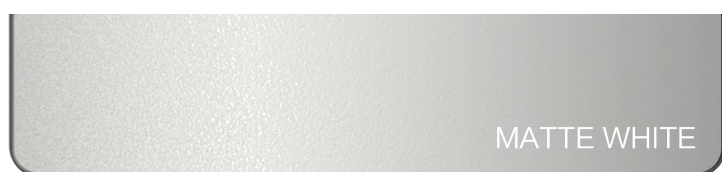
Diamond Collection

Canterbury Arch

Options of coloured frames:



LMCAN-500-GM
Gun Metal



LMCAN-500-MW
Matt White



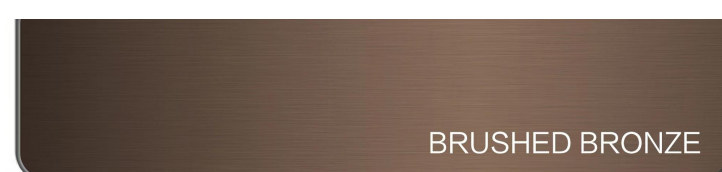
LMCAN-500-MB
Matt Black



LMCAN-500-BN
Brushed Nickel



LMCAN-500-BG
Brushed Gold



LMCAN-500-BZ
Brushed Bronze

Canterbury Arch with Frames

